

FlowFAST V

Vertical Laminar Airflow Cabinets



PROTECTION, SAFETY, RELIABILITY.
AND MORE.

FlowFAST V

Vertical Laminar Flow Cabinets

BEYOND MINIMUM SAFETY REQUIREMENT

FlowFAST V Cabinets are “ISO Class 3” vertical laminar flow cabinets which represent far more economical and valid alternatives to clean-rooms, as they are capable of providing uncontaminated, particle-free and sterile conditions for materials in the work-space. They guarantee and maintain excellent product protection factors by offering a positive pressure particle-free working area by virtue of the prefilter with a minimum efficiency of 80%-90% ASHRAE - and the HEPA filter with an efficiency better than 99,995 % MPPS (H14 - EN:1822).

The FlowFast V vertical laminar airflow cabinets have epoxy powder coated steel structures and an AISI 304L stainless steel working surface as standard.

Alternatively special models in negative pressure and fully made in AISI 304L stainless steel for superior cleanability are also available on demand.

PRODUCT PROTECTION FROM AIRBORNE CONTAMINATION



FlowFAST V

Vertical Laminar Flow Cabinets



FlowFAST V

THE USER-FRIENDLY PRACTICAL KEYBOARD

Membrane keyboard front panel with touch-sensitive buttons for:

- main On/Off switch
- light
- power socket
- night mode and UV lamp

It is fitted with digital display for indicating air velocity and the relevant alarms in case the cabinet is equipped with anemometer and automatic airflow control.

FlowFastV unit is supplied as standard without digital display and automatic air flow speed regulation.

APPLICATIONS



FlowFAST V LAF Cabinets have been widely adopted in many sectors of industry and in science laboratories for use when handling no-risk cell cultures or non-pathogenic biological specimens when the aim is to provide a high degree of protection factor to the samples and the products on the worktop.

These cabinets are recommended for use in applications such as **Quality Control in the pharmaceutical and food - beverage industries, Cell culture, Sterile manipulation.**

FlowFAST V

Vertical Laminar Flow Cabinets



UV STERILIZING LAMP

Magnetic UV Sterilizing Lamp available as added option supplied with frontal aluminium night door panel with side hook for hanging.



ANTI BACTERIAL COATING

Each FASTER cabinet is coated with exclusive **Dupont™ ALESTA®** anti-bacterial “Ag+cations-based solution”, capable to prevent microbial contamination of surfaces thereby inhibiting long term surface growth.

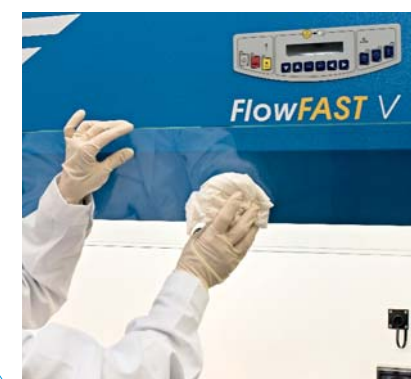
SIDE WALL

Transparent side walls in safety glass. Servicing holes are positioned on the right and left side glasses for taps installation (available as an option).



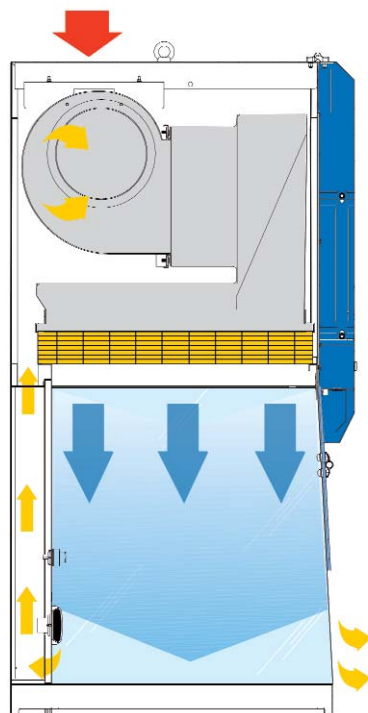
STANDARD FITTINGS

One service connection for electrical power available as standard for model FlowFAST V 12 and two electrical sockets for the models FlowFAST V 15 and FlowFAST V 18.



MAINTENANCE

Useful snap hinges keep in open position the frontal tempered glass increasing the height of the frontal opening. This solution allows the entrance of devices (such as microscopes) beneath laminar flow.



OPERATIONAL PRINCIPLES

The environment air is drawn from the top of the cabinet via a pre-filter and then pulled downwards and filtered by virtue of H14 HEPA filter into the working area in vertical laminar air flow pattern. About half of the volume is exhausted outside into the environment and remaining volume is re-circulated by means of slots positioned at the bottom of the back panel.

SUPERIOR FEATURES

Structure of the FlowFAST V model vertical LAF cabinets is in epoxy powder coated cold-rolled steel for excellent corrosion resistance to the attack by aggressive common chemicals. Alternatively special models made in AISI 304L stainless steel for superior cleanability are also available on demand.

Fixed AISI 304L stainless steel blind work surface in one piece.

QUALITY ASSURANCE DEPARTMENT



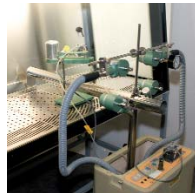
AIR FLOW SPEED TEST



FILTER LEAKAGE TEST



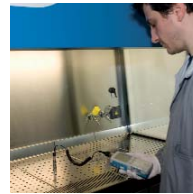
NOISE LEVEL TEST



KI DISCUSS TEST



LIGHTING TEST



VIBRATION TEST



ELECTRICAL TEST

Vertical and horizontal laminar flow cabinets are tested in accordance to ISO 14644-1 and EN 61010:2001 Standards and released with FAT certificate of the tests performed.

TECHNICAL SPECIFICATIONS

| Description | Unit | FlowFAST V 12 | FlowFAST V 15 | FlowFAST V 18 |
|--------------------------|-------|------------------|------------------|------------------|
| Overall Dimensions WxHxD | mm | 1332 780x1495 | 1637 780x1495 | 1942 780x1495 |
| Usefull Dimensions WxHxD | mm | 1190 625x710 | 1495 625x710 | 1800 625x710 |
| Packing Dimensions WxHxD | mm | 1470 900x1750 | 2060 900x1750 | 2060 900x1750 |
| Working aperture | mm | 250 | 250 | 250 |
| Net Weight | kg | 192 | 274 | 325 |
| Gross Weight | kg | 242 | 333 | 395 |
| Noise level | dB(A) | <60 | <60 | <60 |
| Electrical Supply | | 1Ph+E-230V 50Hz | 1Ph+E-230V 50Hz | 1Ph+E-230V 50Hz |
| Power | Kw | 0,90 | 1,40 | 1,40 |

OPTIONS AND ACCESSORIES

- UV lamp with aluminium night door closure for FlowFAST V 12/15/18
- Aluminium night door closure for FlowFAST V 12/15/18
- Epoxy painted base stand for FlowFAST V 12/15/18
- Epoxy painted base stand with castors for FlowFAST V 12/15/18
- Additional service connection for electric power
- Gas tap for FlowFAST V 12/15/18
- Vacuum tap for FlowFAST V 12/15/18
- Compressed air tap for FlowFAST V 12/15/18
- Nitrogen tap for FlowFAST V 12/15/18
- Automatic regulator with digital anemometer, factory fitted (automatic UV cycle)
- Digital Display for FlowFAST V 12/15/18 (manual UV cycle including UV Timer and Hour Counter)
- Differential pressure gauge (Magnehelic), factory fitted.



EN ISO 9001:2000 quality assured firm
Certificate n°112



Faster S.r.l.

Via R. Merendi, 22 20010 Cornaredo (MI) Italy
Tel +39 02 93 991 92 Fax +39 02 93 991 608
www.faster-air.com info@faster.dgroup.it

a D²GROUP company



Striving everyday to improve our environmental performance, Faster developed environmental procedures are founded on three guiding principles:

- Protect the Environment for present and future generations manufacturing low energy consumption equipments
- Reduce risks and improve efficiencies
- Introduce improved technology and processes